



Artillery Spotting, Air Drops and Ground Attack

Dr Mark Lax





Bringing up ammunition under fire in a Somme advance.

Carting the
Ammo
Forward...

...One of the
most
dangerous
jobs on the
Front

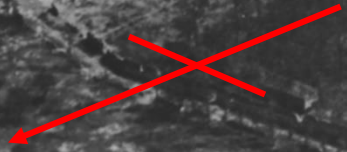
A. 3. AE. O. 173
62° 16-7-10.

ACCROCHE WOOD.

P. 100. 80. 25

HAMEL

N

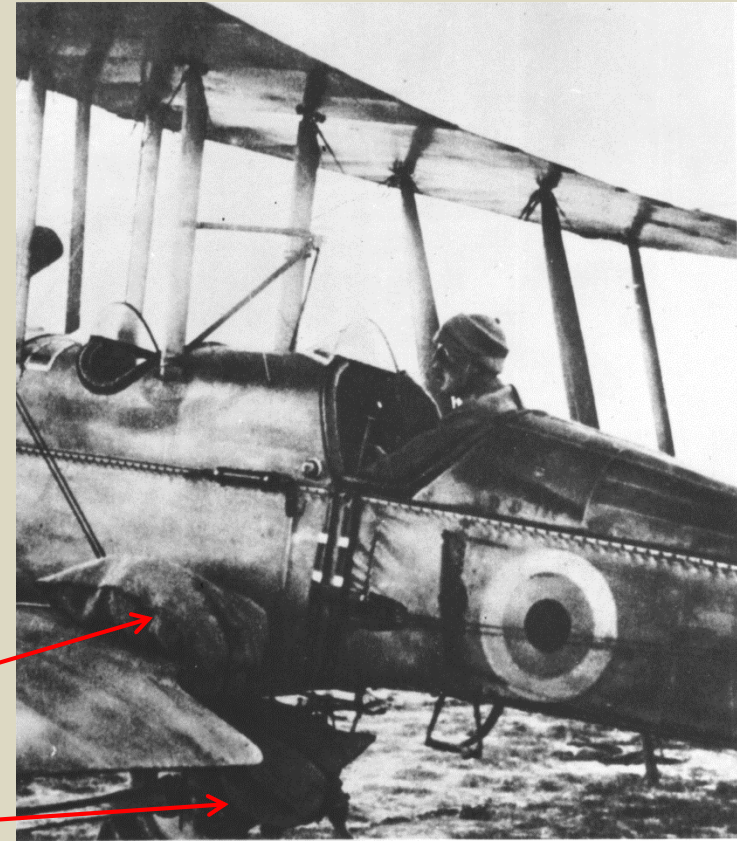
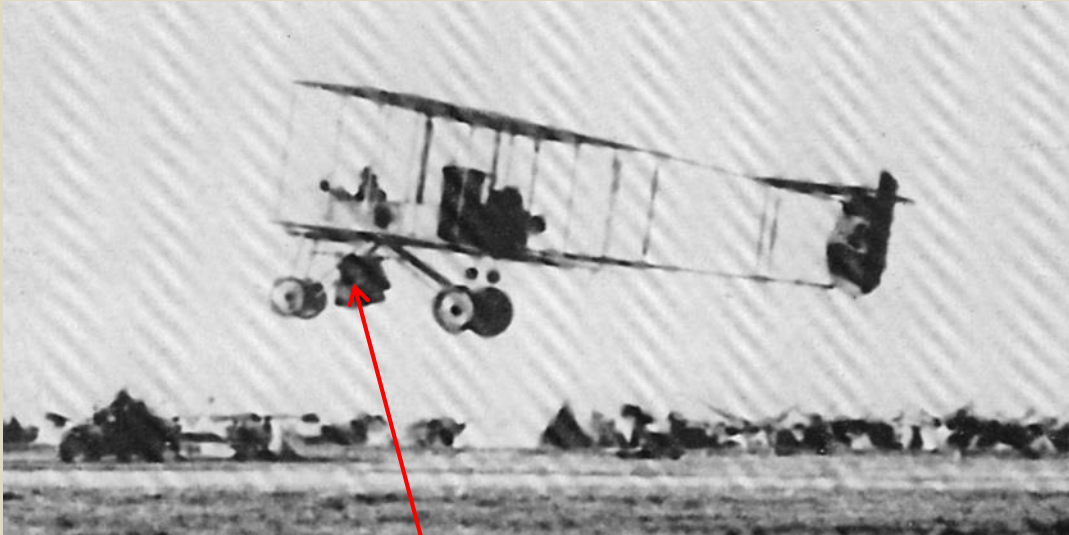


Two parachutes
with ammo boxes





Mesopotamia, April 1916



Food, Money
and Ammo Bags



The ZONE CALL SYSTEM

Target here is designated N1

1	2	3	4	5	6
7	A 8	9	10	B 11	12
13	14	15	16 W	17	18
19	20	★ 21	22	23	24
25	C 26	27	28	D 29	30
31	32	33	34	35	36

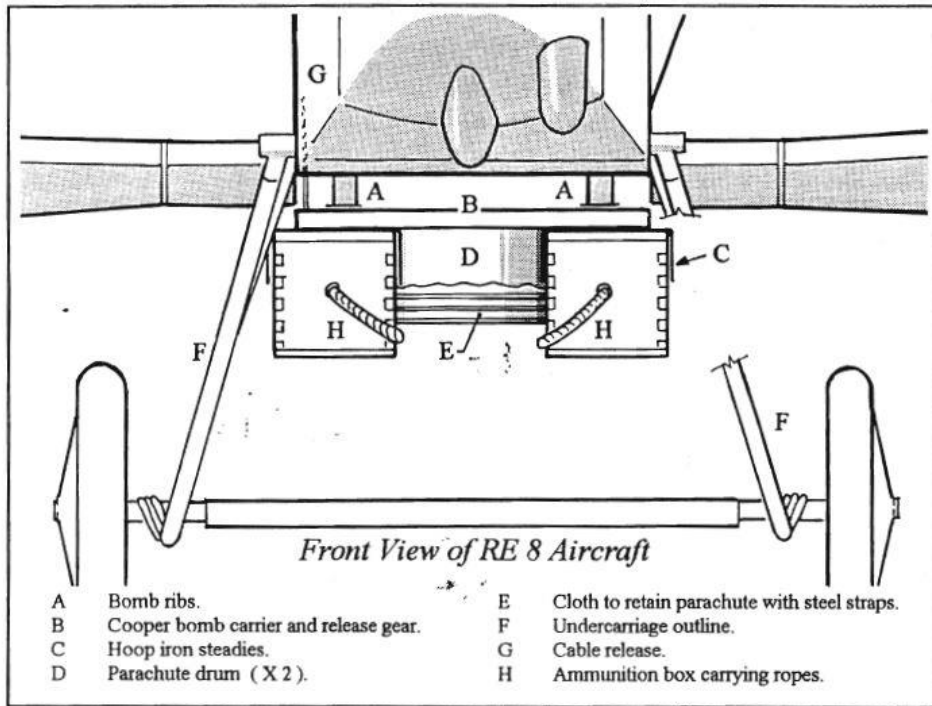
6000 yards

6000 yards

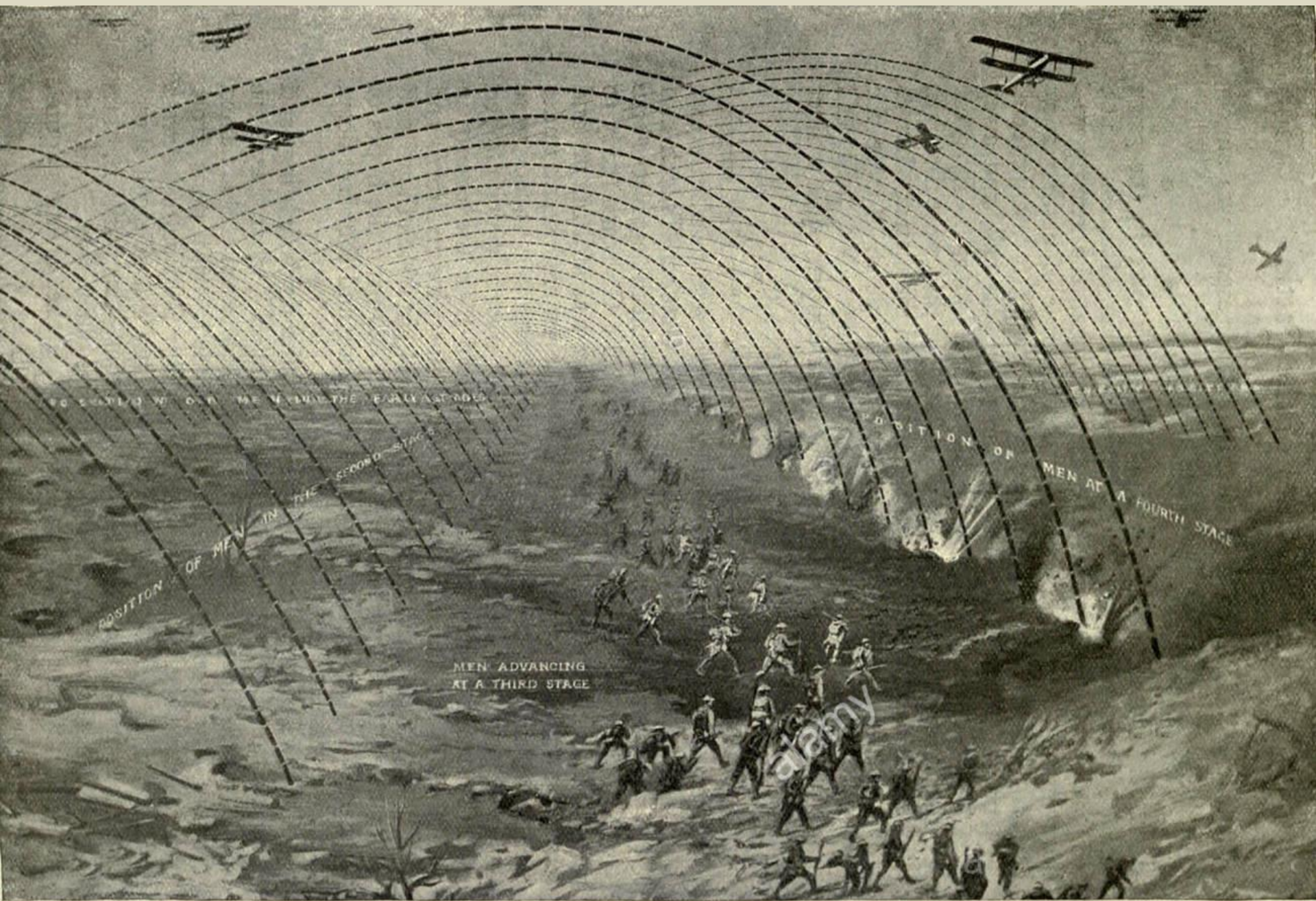
- ★ Call of WC21 N1 – Target N1 in WC 21 square, NW corner







Captain Lawrence Wackett and his Ammo Carrier design



British Soldiers advancing under an Artillery Barrage.





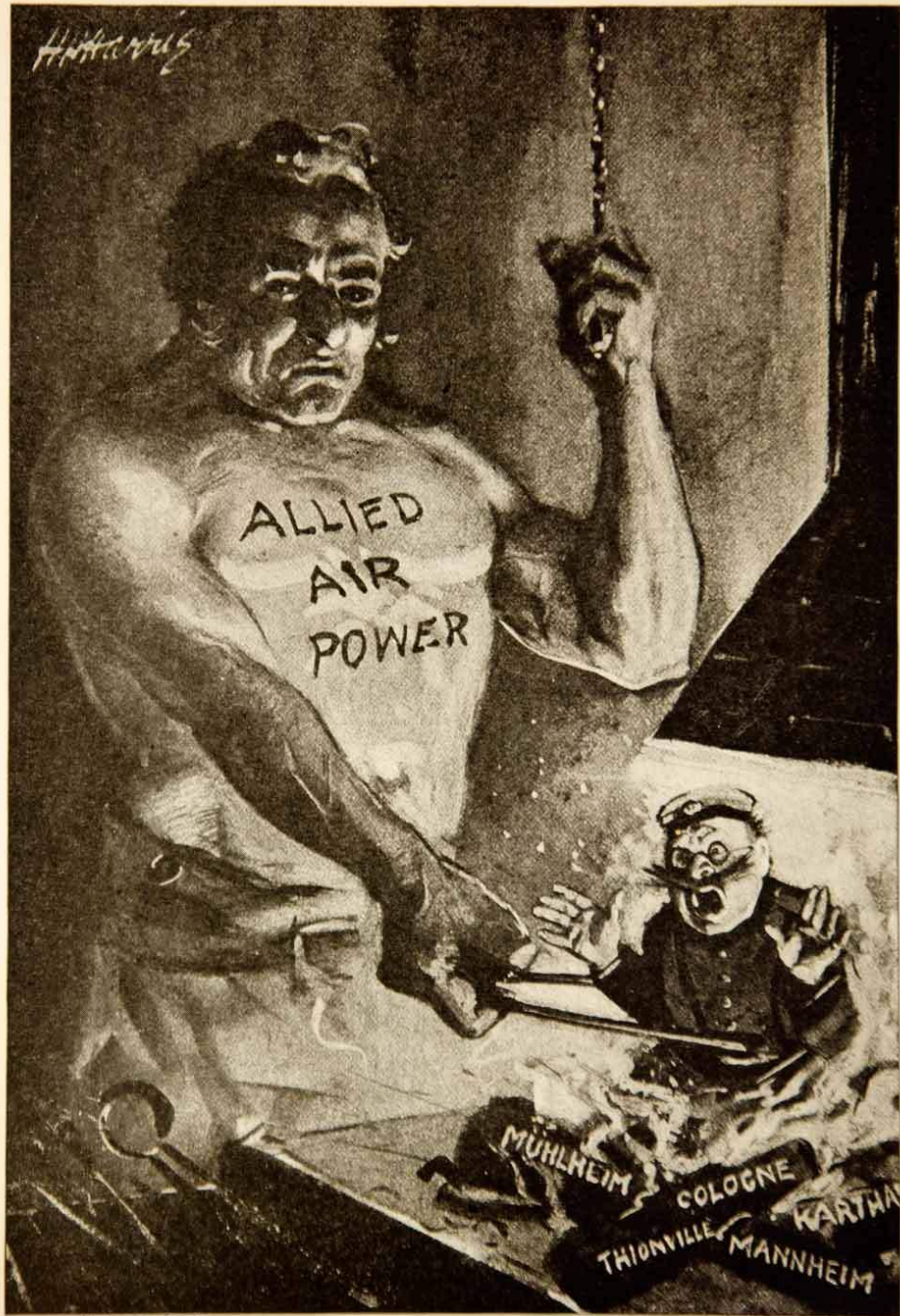




Not so lucky –
wings collapsed







From the *Hystander*, London

Making it hot for him



Artillery Spotting, Air Drops and Ground Attack

Dr Mark Lax